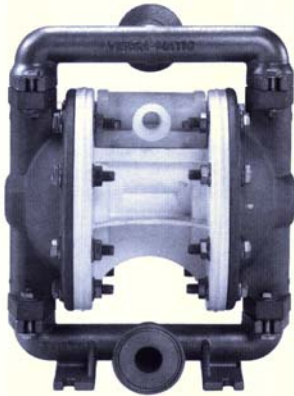


1/2" Double Diaphragm Pump • Xtreme Duty

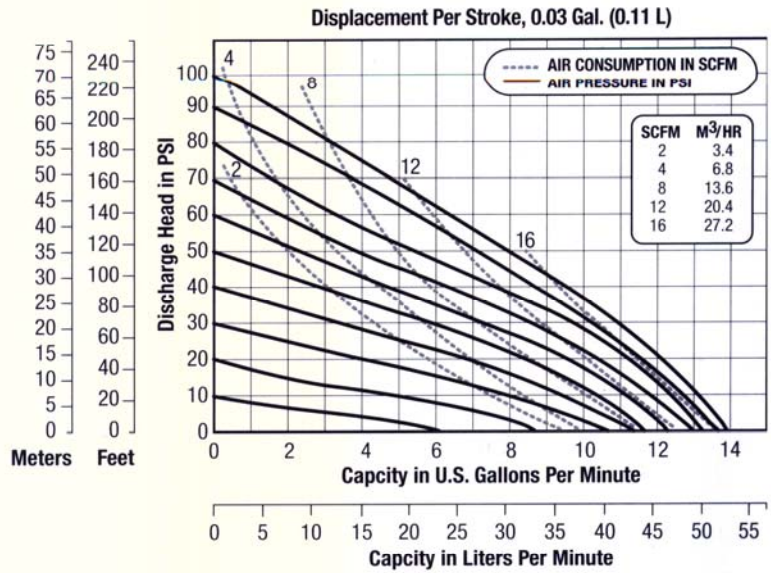
Model No. DM-DDP12SS, 316 Stainless Steel

Specifications

Flow Rate adjustable to . . . 0-14 gpm (53 lpm)
 Port Size
 Inlet and Discharge 1/2" Npt
 Air Inlet 0.375" NPT
 Air Exhaust 0.375" NPT
 Suction Lift . . 15' Dry/25' Wet (6.096m/7.62m)
 Teflon® 5' Dry/10' Wet (1.52m/3.048m)
 Max. Particle Size (Dia.) 0.0625" (1.6mm)
 Shipping Weights
 Stainless Steel 18 lbs (8.17 kg)

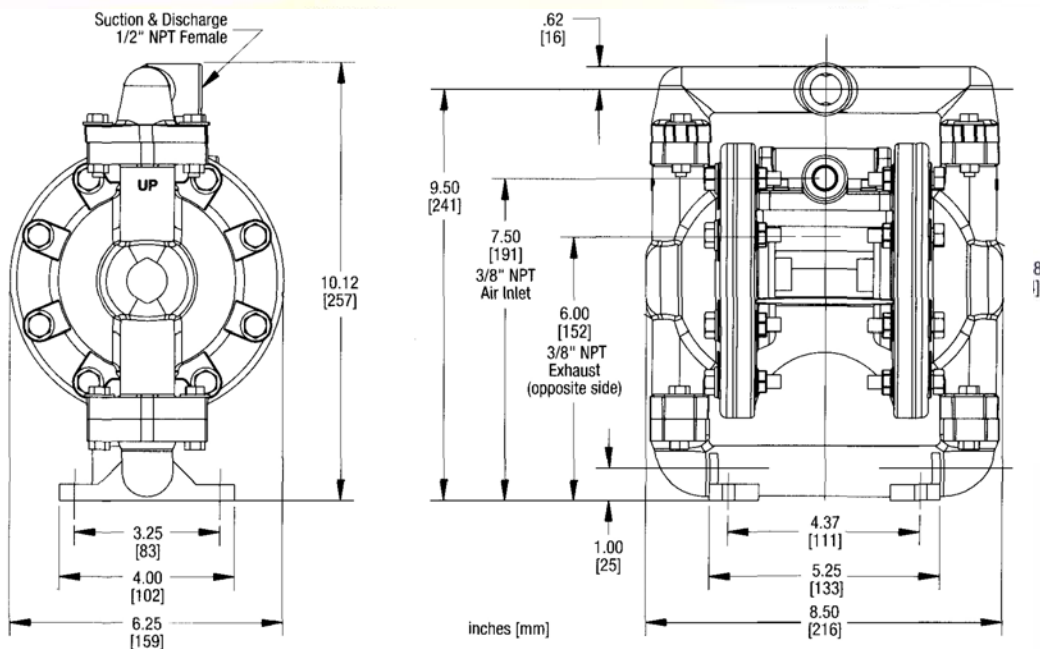


Performance



CAUTION: Do not exceed 100 psig (6.9 bars) air supply or liquid pressure.

Dimensions



Ask for literature on DRUM-MATES® drum/tote mixers, drum tumblers, drum/tote pumps & hand nozzles.
 DRUM-MATES® Inc., Liquid Processing Equipment Div., Tel: 609-261-1033, Fax: 609-261-1034